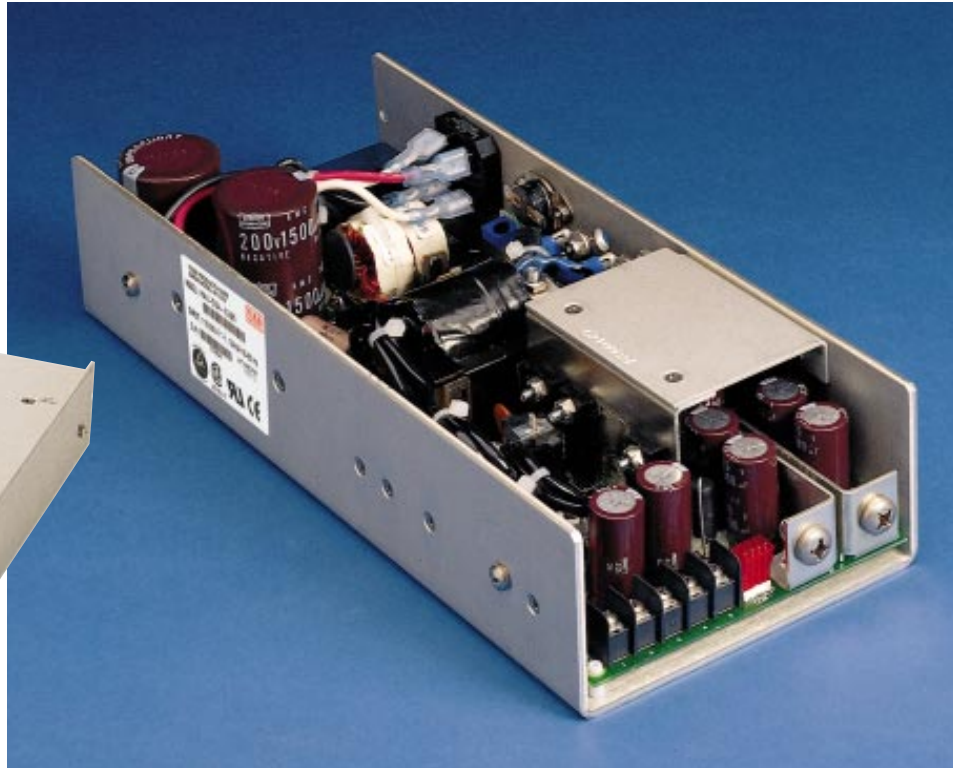


**MAX-400**  
**MAX-500**  
**MTC-500**



**Featuring:**

- Over 3.5 watts/in<sup>3</sup> power density
- 80% overall efficiency
- VMEbus and Multibus II system compatibility
- Meets international safety agency requirements
- All outputs regulated  $\pm 1\%$
- High peak currents for motor starting
- System air or self-cooling options
- AC automatic line selection option

**STANDARD MAX SERIES**

MODEL	PWR	OUTPUT #1	OUTPUT #2	OUTPUT #3	OUTPUT #4
MAX-403-0512	400	+5V @ 70A	+12V @ 10/16A pk	-12V @ 6A	
MAX-503-0512	500	+5V @ 80A	+12V @ 10/16A pk	-12V @ 10A	
MAX-504-1205	500	+5V @ 80A	+12V @ 10/16A pk	-12V @ 10A	5.2V @ 2A
MAX-504-1212	500	+5V @ 80A	+12V @ 10/16A pk	-12V @ 10A	12V @ 2A
MAX-504-1224	500	+5V @ 80A	+12V @ 10/16A pk	-12V @ 10A	+24V @ 2A
MAX-504-1252	500	+5V @ 80A	+12V @ 10/16A pk	-5.2V @ 10A	12V @ 2A

**TELECOM MTC SERIES**

MODEL	PWR	OUTPUT #1	OUTPUT #2	OUTPUT #3
MTC-503-0512	500	+5V @ 70A	+12V @ 10A	-12V @ 10A
MTC-503-0515	500	+5V @ 70A	+15V @ 8A	-15V @ 8A

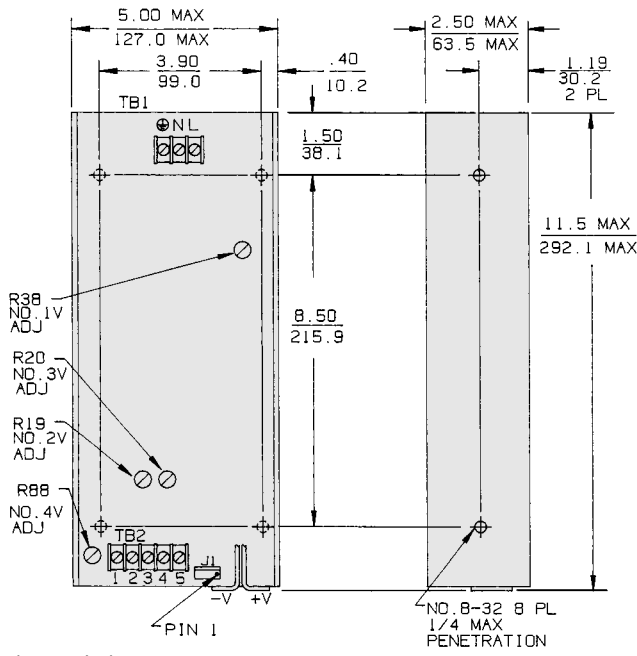
VMEbus and Multibus compatibility is only one feature of this series. You'll find switchers to power up to 80 Amps of logic and four hard disk drives — with up to 16 Amps peak current to meet peripheral startup needs.

You'll find the outputs you need for ISDN, LAN, T1 applications and for standard voice and data networks.

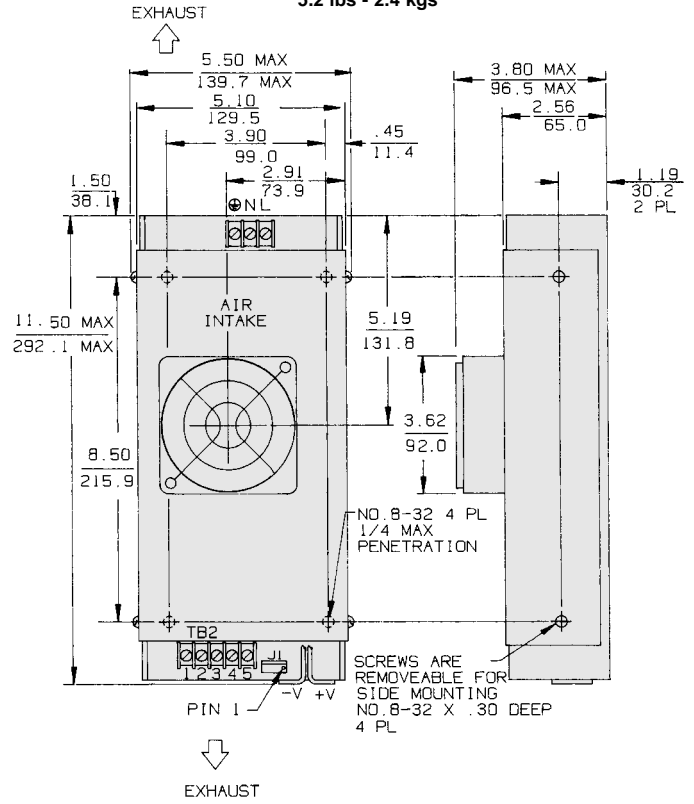
High-current auxiliary outputs provide regulation characteristics for proper operation of line drivers, network interfaces, and RS232-type outputs. And, you can upgrade power output by 25% without redesigning for a larger power supply.

400, 500 WATTS  
11.5" x 5" x 2.5"  
MAX-400, 500 MTC-500

**MAX, MTC-500**  
4.5 lbs - 2.0 kgs



**MAX, MTC-500 with Option F**  
5.2 lbs - 2.4 kgs



Dimensions: Inches  
Millimeters

**SPECIFICATIONS: ALL MODELS**

**INPUT**

- AC Input:** 90-132 Vac/180-264 Vac, 47 to 63 Hz. User selectable. See option "A" for automatic line selection. Internally fused for 12 A.
- Inrush:** Cold start AC current is less than 80 A at 115 Vac and 20 A at 230 Vac. Limited by thermistor.
- Holdup Time:** 16 ms minimum after removal of power, at nominal line, full load.
- Efficiency:** 80% typical.
- Brownout Protection:** Holds regulation to 85 Vac or 170 Vac.

**OUTPUT**

- Adjustability:** User adjustable  $\pm 5\%$  minimum.
- Line & Load Reg:**  $\pm 1\%$  over AC input range and 0 to 100% load change. Output #1 requires minimum load of 10%.
- Ripple & Noise:** Less than 1% p-p or 100 mV, whichever is greater.
- Remote Sense (Output #1):** Compensates for 250 mV total line drop. Open sense lead protection.
- Temperature Coefficient:** 0.02% per degree C.
- Stability:** 0.1% over 8 hours after 30 minutes warm-up.
- Transient Response (Output #1):** Output voltage returns to within 1% in less than 500  $\mu$ s for a 50% load change. Peak transient does not exceed 5%.
- Overload Protection:** All outputs are protected against overload and short circuit. Automatic recovery upon removal of fault.
- Overvoltage Protection (Output #1):** Protects load against power supply induced overvoltage. Trip point is factory set so that output voltage cannot exceed 136% of nominal.
- Remote Inhibit:** Contact closure to the negative sense line drops output power to nominal zero.
- Reverse Voltage:** Protected against reverse voltage up to supply current rating.

**ENVIRONMENTAL**

- Thermal Protection:** Shuts down power supply if overheated. Automatic recovery.
- Temperature Range:** 0° to 50°C at full ratings. Derate to half power at 70°C.
- Safety Agencies:** Most models are approved to UL1950; CSA 22.2 #234; IEC 950 and TÜV EN60950, Class 1 SELV, CE 72/23/EEC/93/68EEC (low voltage directive).
- Conducted RFI:** Meets FCC Part 15, Subpart J, Class A; EN55022 Class B; CISPR 22 Class B.
- Cooling:** 30 CFM required to achieve full ratings.
- Output Isolation:** Isolated from ground 50 Vdc.

**OPTIONS:**

- Option "A", AC Auto-Range:** Automatically selects proper AC line voltage range to enable power operation at either 115 or 230 Vac without user intervention.
- Option "C", Cover:** Limits contact with power supply interior.
- Option "F", Fan/Cover Assembly:** Cover with integral ball-bearing fan provides proper cooling to achieve full ratings at 50°C ambient temperature.

- Option "G", DC Power Good:** Provides a TTL "1" open collector when output #1 is above 4.6 V nominal. Not available if option "P" is selected.
- Option "P", AC Power Fail:** Provides TTL "0" 5 ms before output voltage goes out of regulation band upon loss of AC power. VMEbus compatible, provides 48 mA sink current capability. Not available if option "G" is selected.
- Option "V", Fan/Cover Assembly:** Low profile, end venting cover with integral ball-bearing fan.

Consult factory for other available options.

**AC INPUT**

FUNCTION	115 VAC	230 VAC	CONNECTORS
Input Select	Short	Open	0.250 Male Fastons
TB1- (L)	Line	Line 1	Barrier strip #6-32 screws 3/8" centers.
TB1- (N)	Neutral	Line 2	
TB1- (G)	Safety Ground	Safety Ground	

**DC OUTPUT**

FUNCTION	LOCATION	NOTES	CONNECTOR
Output #1	Terminal marked +V	Main Output	Bus bars #1/4-20 screws
	Terminal marked COM	Rtn (Common)	
Output #2	TB2-3	Rtn (Common)	Barrier Strip #6-32 screws 3.8" centers
	TB2-4		
Output #3	TB2-5	Rtn (Common)	
	TB2-4		
Output #4* (If provided)	TB2-1	(+)	
	TB2-2	(-)	

\*Rtn connected to common only if output is polarized in product selection chart

**STATUS AND CONTROL**

FUNCTION	LOCATION	NOTES	CONNECTOR
Remote Sense	J1-1 (+S)	Output #1 Sense	AMP MTA type #640456-4 pin header (locking)
	J1-2 (-S)	Output #1 Sense Rtn	
AC Power Fail or DC Power Good*	J1-3 (PF)	Reference to J1-2	
Inhibit	J1-4(1H)	Short to J1-2	

\*Optional function